
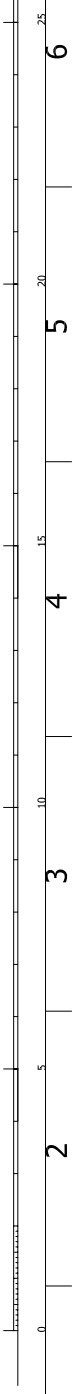
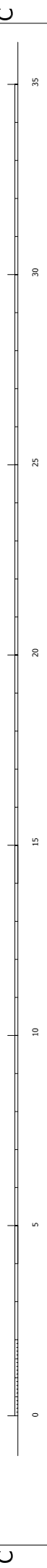
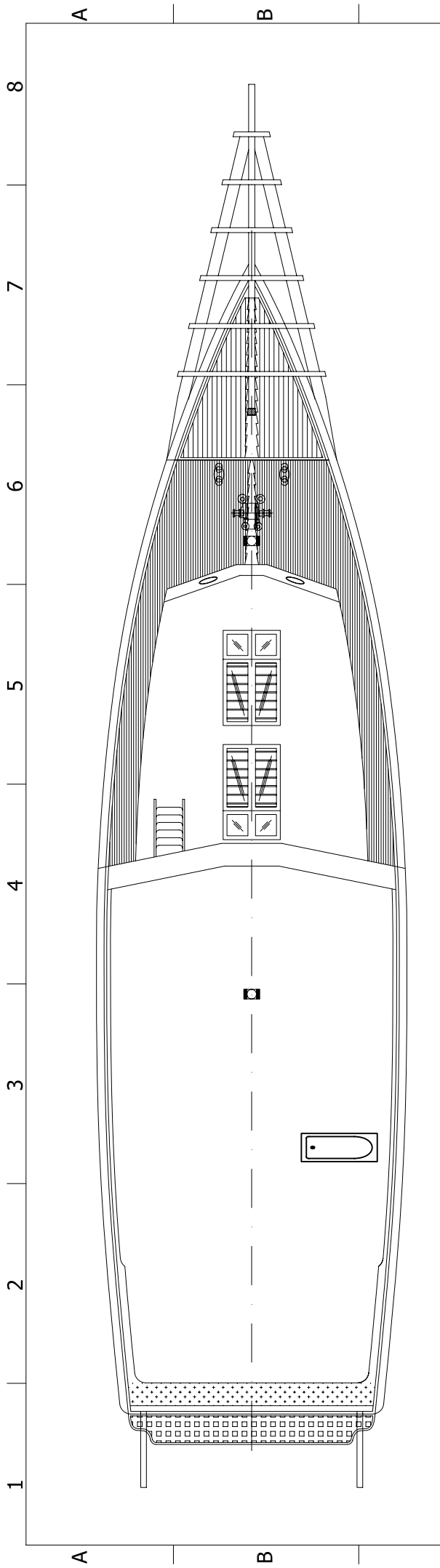


OUTBOARD PROFILE VIEW

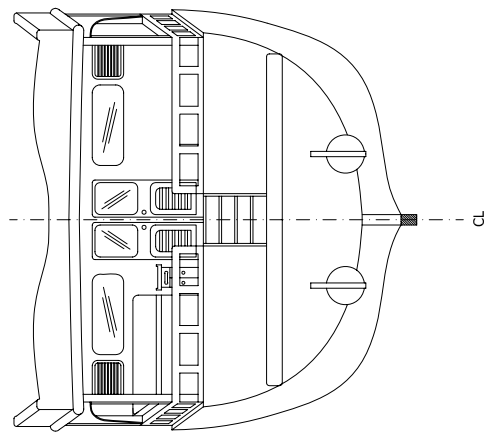
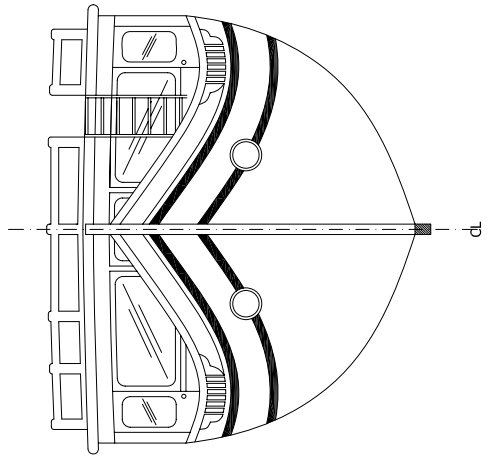
PRINCIPAL DIMENSION  
 LOA : 34.40 m  
 LOD : 30.00 m  
 Beam : 7.60 m  
 Depth : 3.75 m  
 Draft : 1.90 m

 www.kekano.co.id drawn by: Hendra Dwi W scale : as indicated by scale bar unit : cm date : 26/05/2007 drawing : 1 of 5	LOD 30 M PINSHI SKETCH DRAWING
	supervised by: Krisnan Kusnara drawn for: SONOLINE CRUISES CIPHOREJA




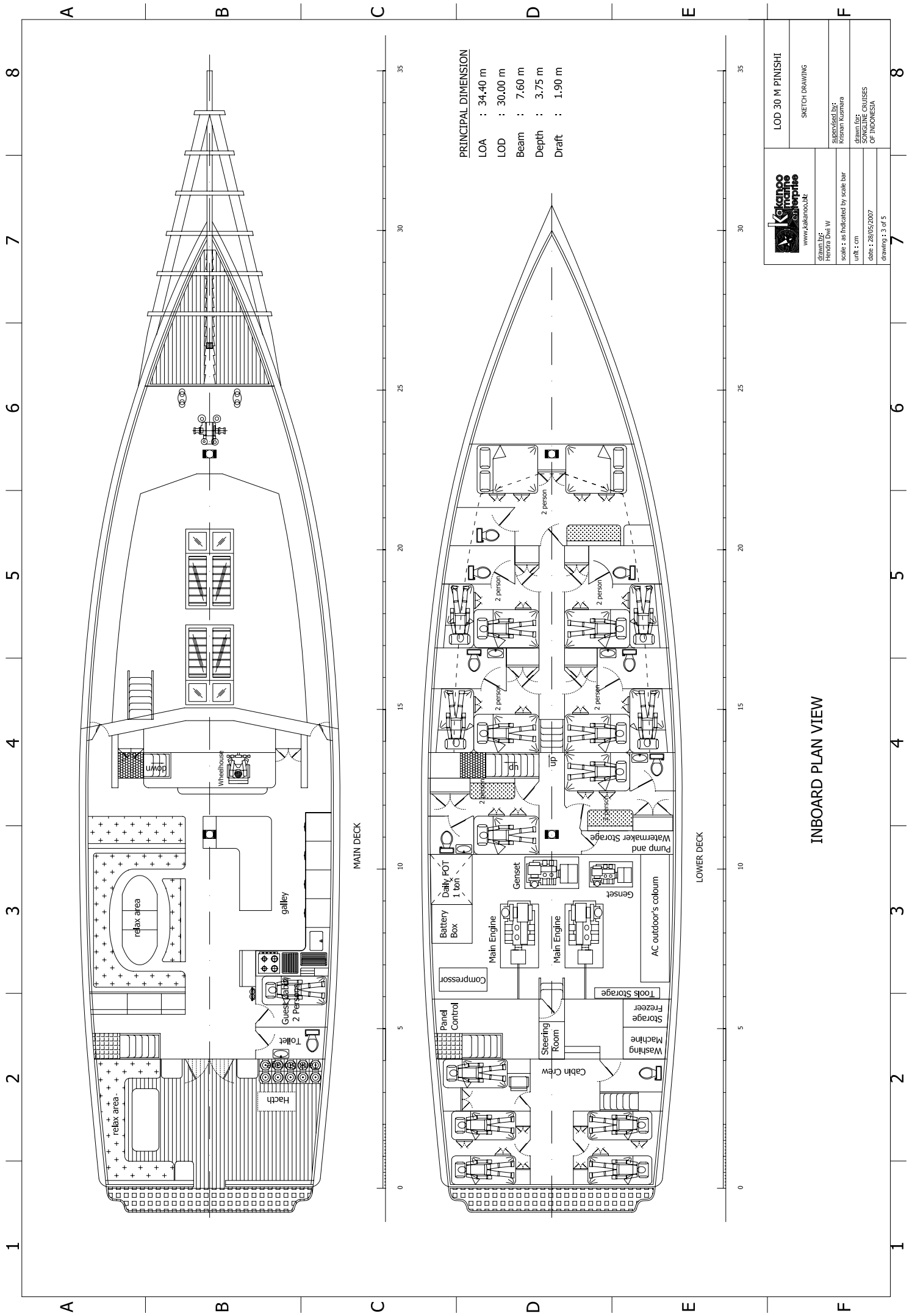


**PRINCIPAL DIMENSION**  
 LOA : 34.40 m  
 LOD : 30.00 m  
 Beam : 7.60 m  
 Depth : 3.75 m  
 Draft : 1.90 m



OUTBOARD PLAN VIEW

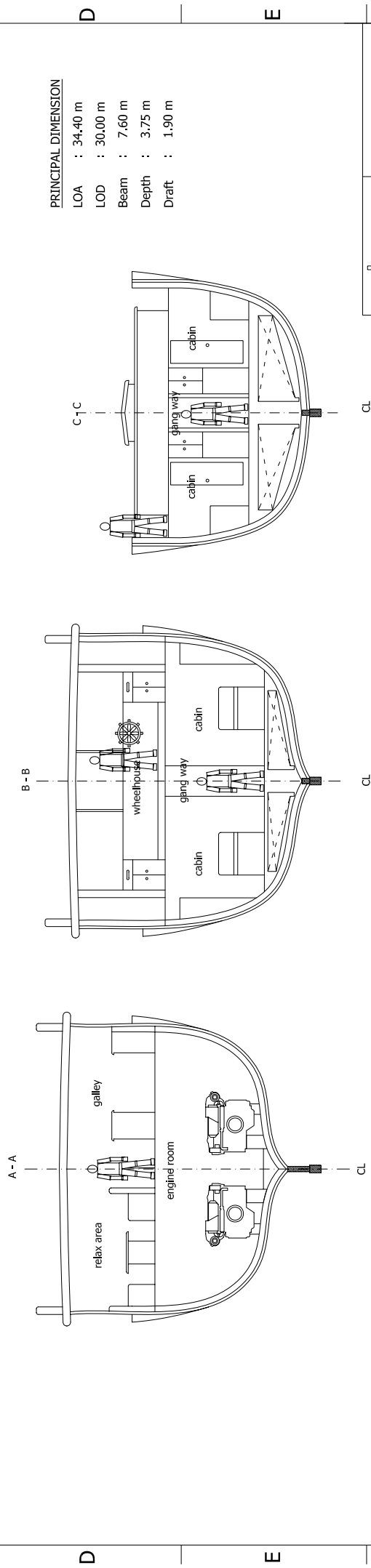
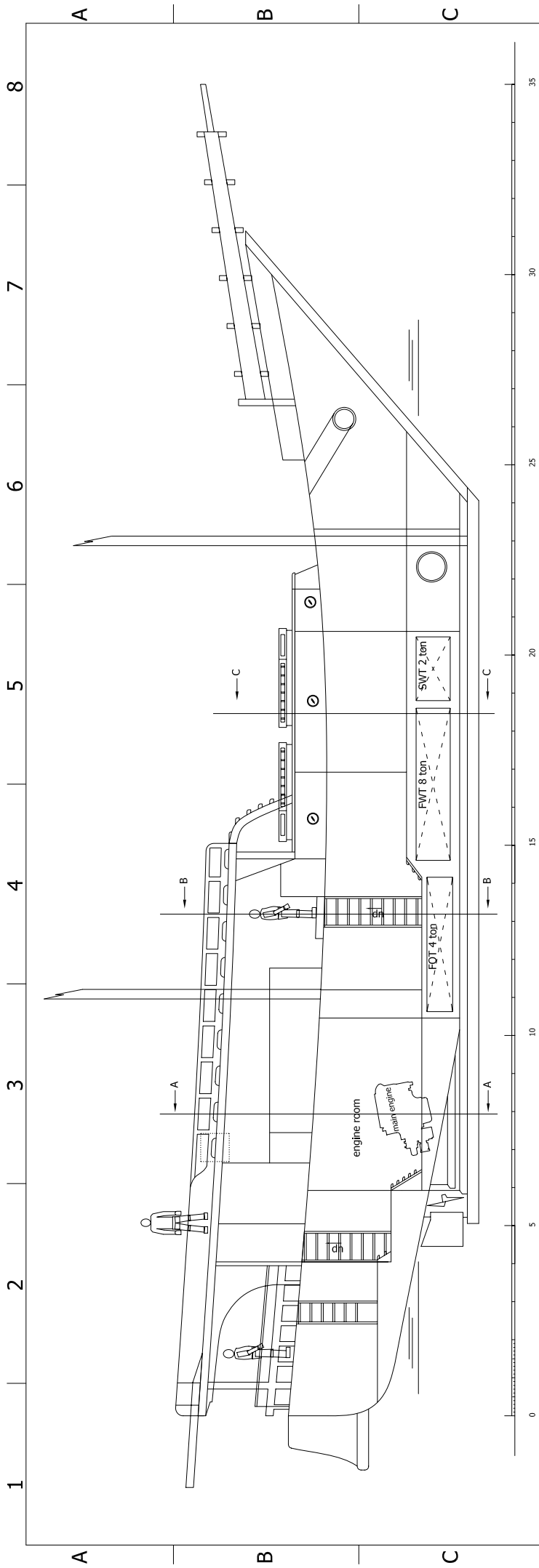
 www.katanoo.com	LOD 30 M PINISHI
	SKETCH DRAWING
drawn by: Hendra Dwi W	supervised by: Krisnan Kusumara
scale : as indicated by scale bar	drawn by: SONOULINE CRUISES OF INDONESIA
unit : cm	date : 28/05/2007
drawing : 2 of 5	8



**PRINCIPAL DIMENSION**  
 LOA : 34.40 m  
 LOD : 30.00 m  
 Beam : 7.60 m  
 Depth : 3.75 m  
 Draft : 1.90 m


	<b>LOD 30 M PINISHI</b> SKETCH DRAWING www.katanoo.co.uk
	supervised by: Krisnan Kusumara
drawn by: Hendra Dwi W	scale : as indicated by scale bar
unit : cm	date : 28/05/2007
drawn for: SORINGLIVE CRUISES OF INDONESIA	drawing : 3 of 5

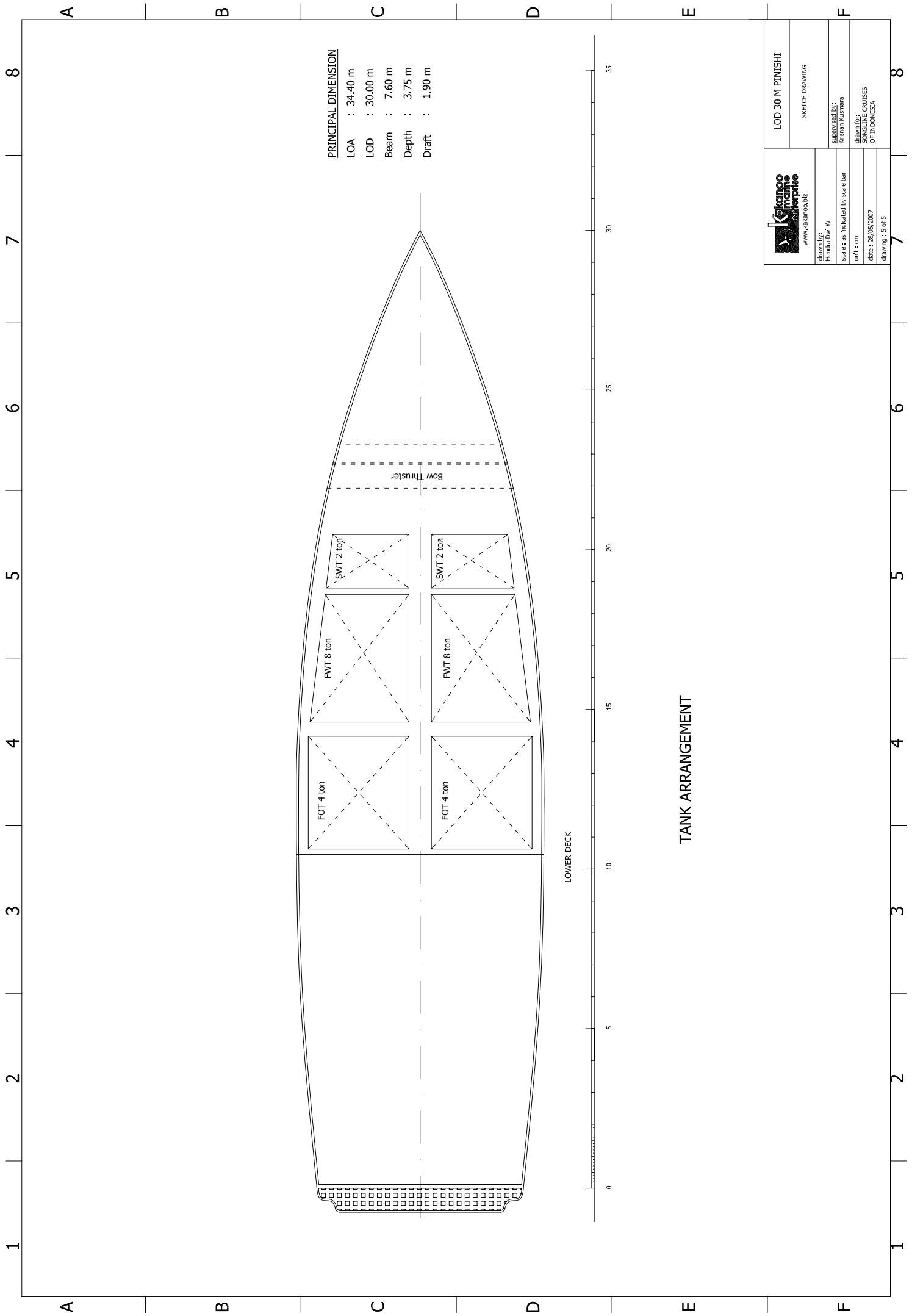
INBOARD PLAN VIEW



**PRINCIPAL DIMENSION**  
 LOA : 34.40 m  
 LOD : 30.00 m  
 Beam : 7.60 m  
 Depth : 3.75 m  
 Draft : 1.90 m


**INBOARD PROFILE VIEW**

 www.katanoo.co.uk	<b>LOD 30 M PINISHI</b> SKETCH DRAWING
drawn by: Hendra Dwi W	supervised by: Krisnan Kusumara
scale : as indicated by scale bar	unit : cm
date : 28/05/2007	drawn for: <b>SOMALINE CRUISES OF INDONESIA</b>
drawing : 4 of 5	8



**PRINCIPAL DIMENSION**  
 LOA : 34.40 m  
 LOD : 30.00 m  
 Beam : 7.60 m  
 Depth : 3.75 m  
 Draft : 1.90 m

**TANK ARRANGEMENT**

 www.katanoo.id	<b>LOD 30 M PINISHI</b>
	SKETCH DRAWING
drawn by: Hendra Dwi W	supervised by: Krisnan Kusumara
scale : as indicated by scale bar	unit : cm
date : 28/05/2007	drawn for: SOPHISCINE CRUISES OF INDONESIA
drawing : 5 of 5	